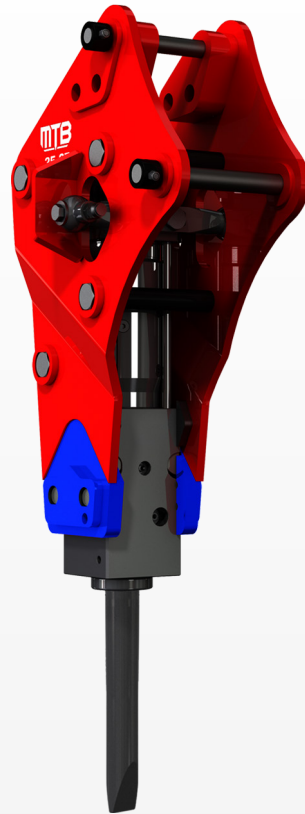




**BREAKERS & ATTACHMENTS**

**BREAKER MODEL**

**35 ST**



### **FOR CONFINED SPACES**

#### **Different Type Chassis**

Our breakers provide superior efficiency and reliability with our different type chassis' which were designed for suitable operations in various work environments. They are available for many carrier machines such as mini excavators and backhoe loaders and they are a fast and economic solution for your operating needs. They are stronger than ever with their lighter design.

### **MORE RELIABLE**

#### **Piston Design**

Stronger strike with its increased impact power and enhanced piston design!

#### **Membrane and Accumulator**

With its highly resilient accumulator and membrane, our breakers impact with the same energy on every single stroke, thus providing maximum efficiency even when working on the hardest materials.

### **LONGER LIFETIME**

#### **Hydraulic Cushioning**

If the breaker blank-fires during operation, thanks to our hydraulic cushioning feature the piston won't hit the cylinder, therefore prolonging the lifetimes of the components.



# TECHNICAL INFORMATION

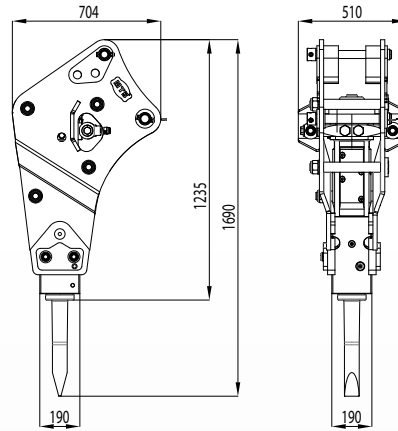
## 35 ST

<b>Oil Flow</b> l/min	50~100
<b>Impact Rate (b)</b> bpm	490~990

<b>Operating Pressure (c)</b> bar	120~125
<b>Input power (d)</b> kW	10~20.8

<b>Relief Pressure</b> bar	180
<b>Back Pressure Max.</b> bar	10
<b>Tool Diameter</b> mm	75

<b>Noise Level (e)</b> LWA (dB)	127
<b>Skid-steer loader (f)</b> t	3.8~5.5
<b>Mini Excavator (f)</b> t	6~9



Open side connection Backhoe Loader

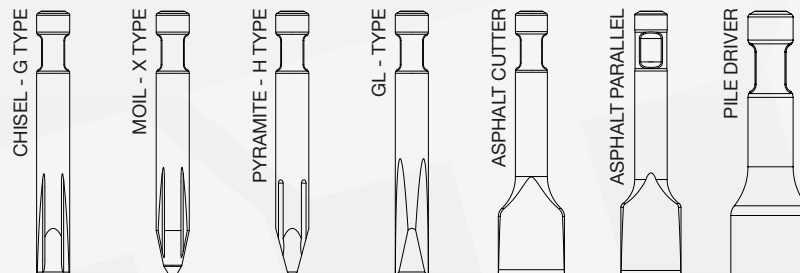
**Operating weight (a)** kg 435

- (a) It includes the approximate weight of the breaker, bracket, standard tool and hose weights.  
 (b) Actual impact frequency depends on the oil flow, oil viscosity, temperature and the material to be broken.  
 (c) Actual pressure depends on the oil flow, oil viscosity, temperature, material to be broken and the return pressure.  
 (d) Input power directly effects fuel consumption. Low input power (kW) requirement means low fuel consumption.  
 (e) Guaranteed sound power testing results according to directive 2000/14/EC (Guaranteed dB(A)=Measured Value +3 dB).  
 (f) If the carrier machine is out of the optimum range, ask the carrier machine.

## TOOL PROPERTIES

	Pyramid	Moil	Chisel	Blunt
<b>Operating Principle</b>				
<b>Key Properties</b>	<ul style="list-style-type: none"> <li>○ Breaking in four directions</li> <li>○ General demolition</li> </ul>	<ul style="list-style-type: none"> <li>○ Breaking in all directions</li> <li>○ Suitable for general use</li> </ul>	<ul style="list-style-type: none"> <li>○ Breaking in two directions</li> <li>○ Suitable for general purpose by demolition</li> </ul>	<ul style="list-style-type: none"> <li>○ Good energy transfer</li> <li>○ Demolition – Impact breaking</li> </ul>

## SPECIAL TOOLS



Rev. 150822



cekici@hidro-rad.hr



+(385) 21 721 041