

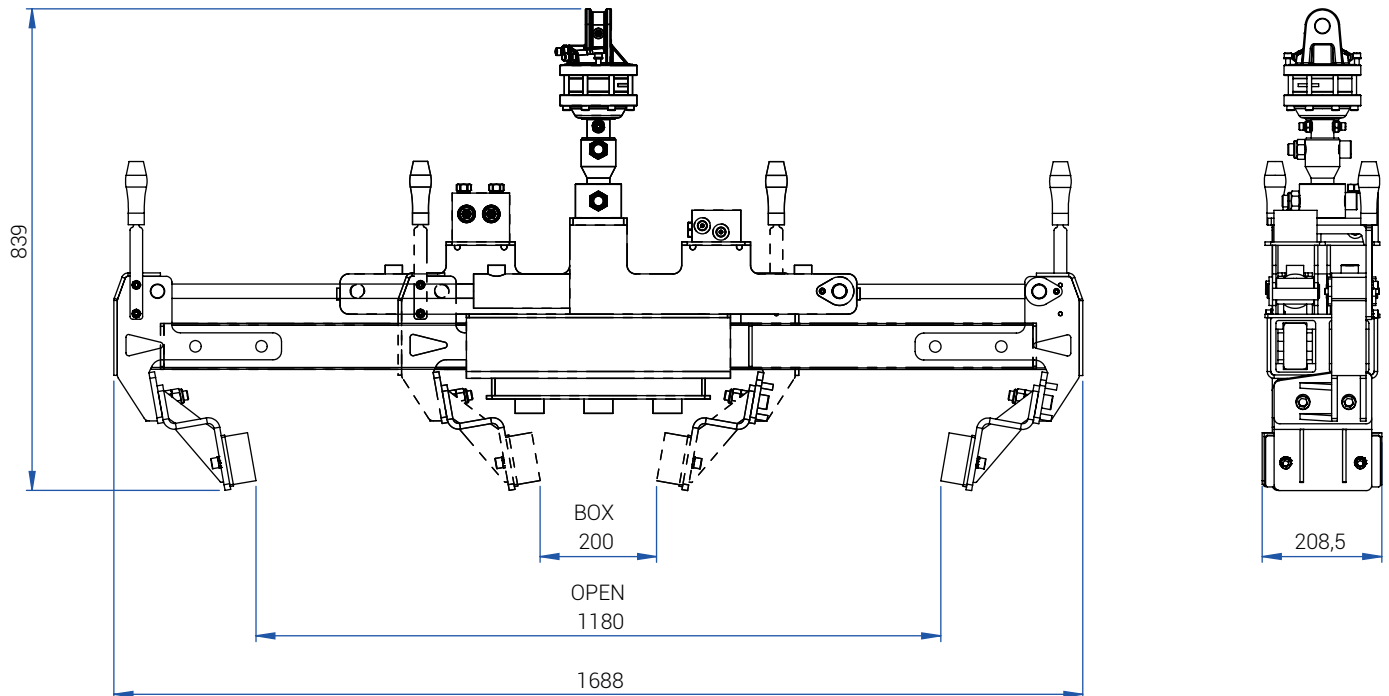
STONE CLAMP



MTB STONE CLAMP ATTACHMENT

MTB Hydraulic Stone Clamp can be used for laying paving stones on road construction operations. MTB Hydraulic Stone Clamps are attached to machines with a hydraulic power plant such as; mini excavator, backhoe loader, etc. It has a stronger and more durable jaw structure compared to competitors. The rubber holders on the jaws are changeable and they provide an excellent grip on the material. Plastic holders prevent scratches on the material being carried.

TECHNICAL INFORMATION



MTB STONE CLAMP

| | | |
|----------------------|-----|------|
| Min. Gripping Width | mm | 200 |
| Maks. Gripping Width | mm | 1180 |
| Min. Gripping Height | mm | 50 |
| Maks. Lifting weight | kg | 380 |
| Operating pressure | bar | 100 |
| Weight | kg | 150 |



cekici@hidro-rad.hr



+(385) 21 721 041