



BREAKERS & ATTACHMENTS

LOG GRAPPLE

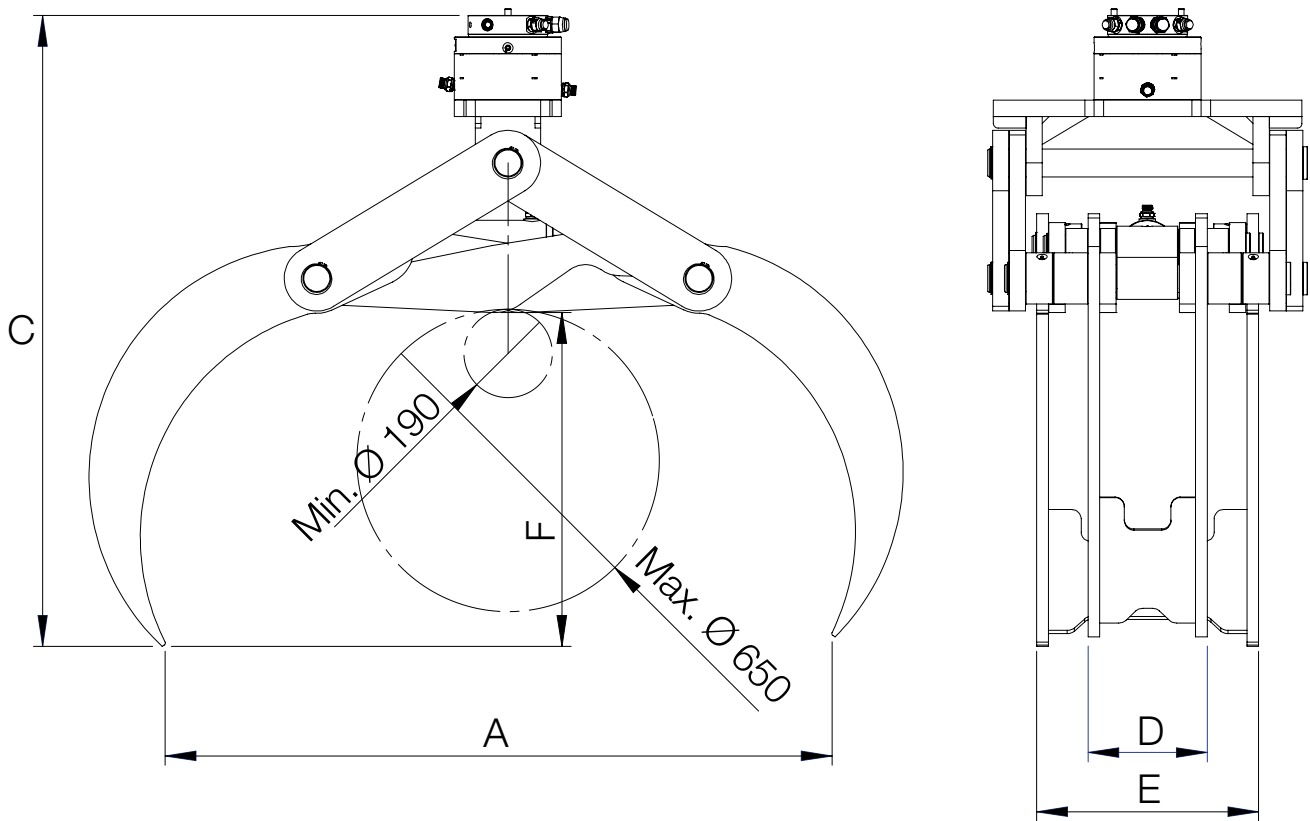
MTT 250 S



MTB LOG GRAPPLE

Can be used to load logs to trailers after cutting trees or to carry material from yards. Makes it possible to pile your loads easily thanks to its rotator system.

TECHNICAL INFORMATION



MTT 250 S

Operating Weight	kg	530~500
Oil Flow (Cylinder)	l/min	50
Operating pressure (Cylinder)	bar	300
Oil Flow (Rotator)	l/min	15
Operating pressure (Rotator)	bar	250

Jaw Opening (A)	mm	1435
Jaw Depth (F)	mm	720
Jaw Width (E)	mm	447
Jaw Width (D)	mm	256
Length (C)	mm	1355
Carrier (C)	t	5,5~11



cekici@hidro-rad.hr



+(385) 21 721 041