

# Concrete Batching Plants



**FABO<sup>®</sup>**

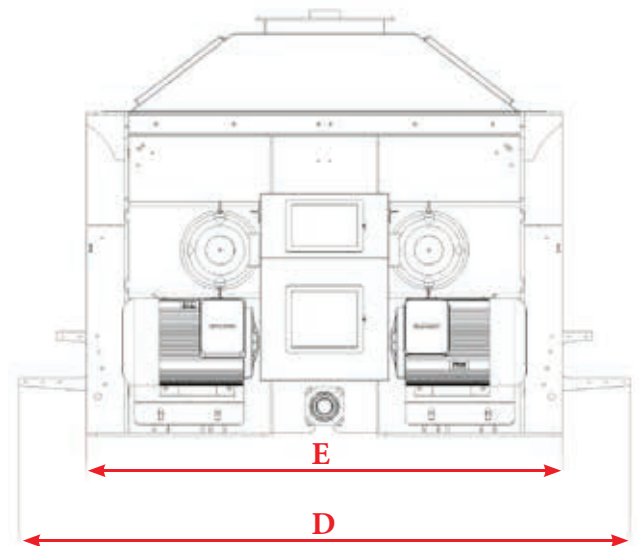
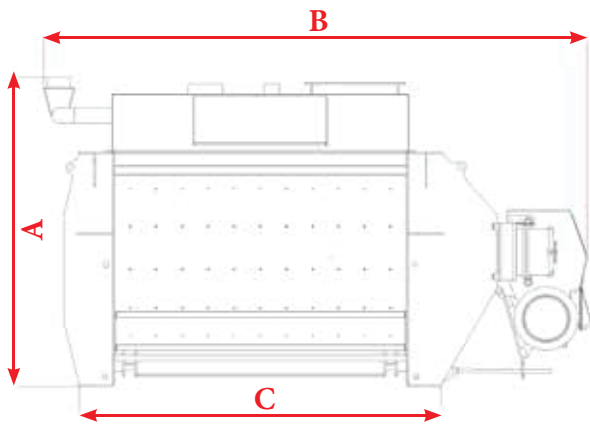
# Crushing Screening Plants



# Concrete Batching Plant

## TWS-03 Twinshaft Mixer

MODEL	TWS-03	DIMENSION	TWS-03
WET CONCRETE CAPACITY	3,0 m <sup>3</sup>	A	2300 mm
GEARBOX	DIŞSAN - PDS	B	4090 mm
FEEDING CAPACITY	4500 LT	C	2750 mm
FRESH CONCRETE CAPACITY	3750 LT	D	3350 mm
COMPACTED CONCRETE CAPACITY	3000 LT	E	2610 mm
MOTOR POWER	2 x 55 kW		
DISCHARGE TYPE	HYDRAULIC DOOR		
AUTOMATIC LUBRICATION	YES		



## MIXING ELEMENTS

Mixer tank, mixer blades are lined with Ni-Hard. Low profile mixing arms are made of Cast Iron to prevent material buildup. The positions and directions of its numerous blades guarantee the correct combination between rolling and circulation of the material during the mixing process.

## GEAR BOX

The gearboxes of the FABO Twinshaft mixing group are planetary type and the first drive is driven by a pulley transmission equipped with a constant velocity universal joint to keep the shafts synchronized. The low initial speed of the gearboxes ensures that the lubricating oil works healthier. The connection between the gearbox and the tank is made with the special coupling sleeve developed over the years to make any possible maintenance to the shaft supports easier and faster.

This sleeve (coupling apparatus) can be easily removed to provide access to the shaft support, minimizing downtime for the plant in case of maintenance.



## Contact:



[fabo@hidro-rad.hr](mailto:fabo@hidro-rad.hr)



+ (385) 21 721 041

