

TAKEUCHI

From World First to World Leader

HUPPDUMP D150AHG

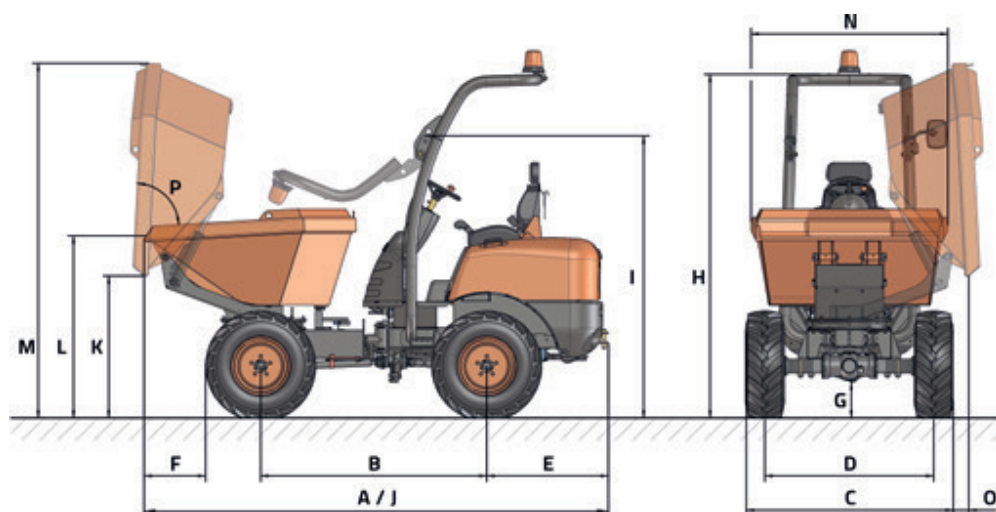


D 150 AHG

TECHNICAL DATA

GENERAL		D 150 AHG
Unloading system	-	Rotating
Load capacity	Kg	1500
Chassis	-	Articulated and oscillating
Water hopper capacity	l	520
Level hopper capacity	l	626
Heaped hopper capacity	l	900
Empty weight	Kg	1510
Transmission	-	Hydrostatic
ENGINE		
Brand	-	KUBOTA
Model	-	D1105-E4B
Power	kW	15.6
Operating speed	rpm	2400
Torque	N·m@rpm	71.4@1600
No. of cylinders	-	3
Emissions	-	Stage V - EPA Tier4
Noise	dB(A)	101
DRIVING		
Max. speed	Km/h	14
Maximum gradient	%	40
External turning radius	mm	3260
Traction	-	4x4
Tyres	-	10.0/75-15.3
HYDRAULIC SYSTEM		
Hydraulic circuit	-	8 cc gear pump
Flow rate	l/min	17,28
Working pressure	bar	180
TANK CAPACITY		
Fuel	l	23
Hydraulic system	l	21.2
BRAKES		
Service	-	Sealed brakes. Mechanical drive
Parking	-	Sealed brakes. Mechanical drive

DIMENSIONS



DIMENSIONS (mm)	D 150 AHG
A	3300
B	1600
C	1480
D	1195
E	860
F	460
G	250
H	2440
I	2000
J	3300
K	1000
L	1290
M	2500
N	1400
O	135
DIMENSIONS (°)	
P	83



takeuchi@hidro-rad.hr



+(385) 21 721 041