

**TAKEUCHI**

*From World First to World Leader*

# HUPPDUMP D120AHA

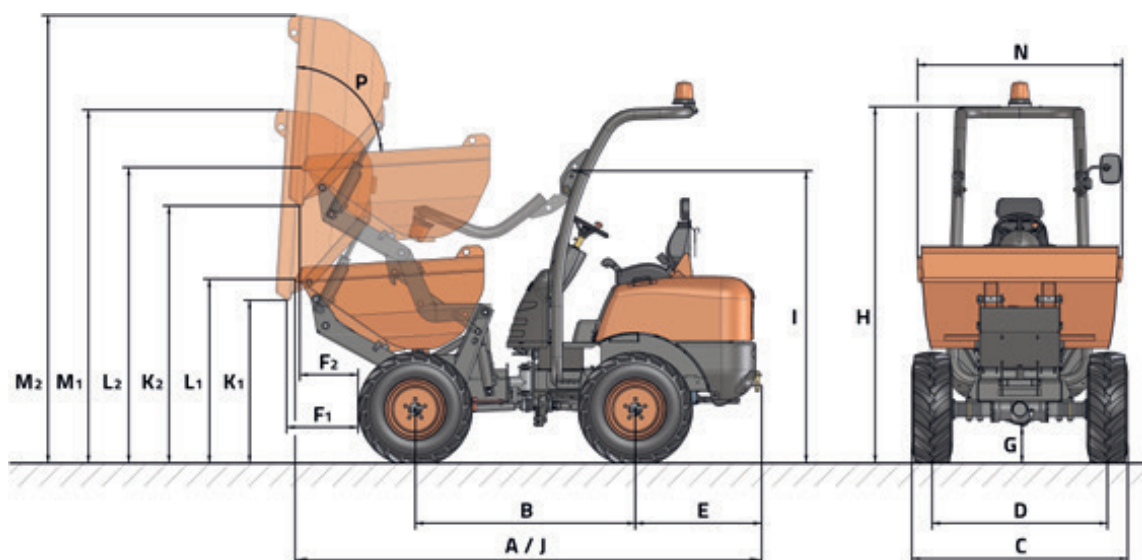


# D 120 AHA

## TECHNICAL DATA

GENERAL		D 120 AHA
Unloading system	-	High
Load capacity	Kg	1200
Chassis	-	Articulated and oscillating
Water hopper capacity	l	425
Level hopper capacity	l	515
Heaped hopper capacity	l	700
Empty weight	Kg	1375
Transmission	-	Hydrostatic
ENGINE		
Brand	-	KUBOTA
Model	-	D1105-E4B
Power	kW	15,6
Operating speed	rpm	2400
Torque	N·m@rpm	71.4@1600
No. of cylinders	-	3
Emissions	-	Stage V, EPA Tier4
Noise	dB(A)	101
DRIVING		
Max. speed	Km/h	17
Maximum gradient	%	48
External turning radius	mm	3125
Traction	-	4x4
Tyres	-	10.0/75-15.3"
HYDRAULIC SYSTEM		
Hydraulic circuit	-	8 cc gear pump
Flow rate	l/min	17,28
Working pressure	bar	180
TANK CAPACITY		
Fuel	l	23
Hydraulic system	l	21.2
BRAKES		
Service	-	Sealed brakes. Mechanical drive
Parking	-	Sealed brakes. Mechanical drive

## DIMENSIONS



### DIMENSIONS (mm)

### D 120 AHA

A	3200	
B	1500	
C	1210	
D	925	
E	860	
F	545	505
G	250	
H	2440	
I	2000	
J	3200	
K	990	1750
L	1270	2020
M	2300	3050
N	1200	
O	-	
<b>DIMENSIONS (°)</b>		
P	83	



takeuchi@hidro-rad.hr



+(385) 21 721 041