

**TAKEUCHI**

*From World First to World Leader*

# HUPPDUMP D100AHA

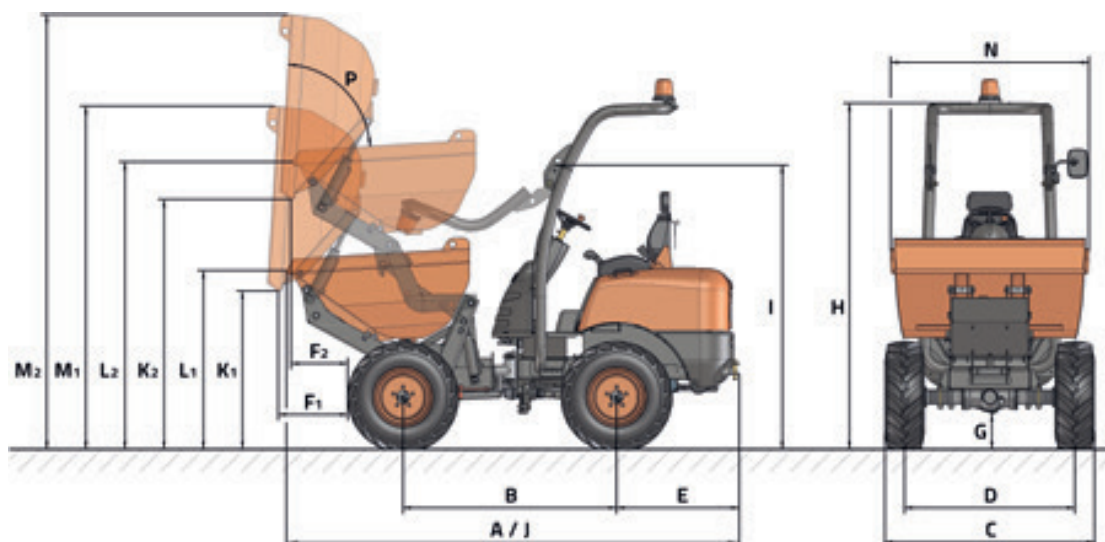


# D 100 AHA

## TECHNICAL DATA

<b>GENERAL</b>		<b>D 100 AHA</b>
Unloading system	-	High
Load capacity	Kg	1000
Chassis	-	Articulated and oscillating
Water hopper capacity	l	345
Level hopper capacity	l	395
Heaped hopper capacity	l	565
Empty weight	Kg	1300
Transmission	-	Hydrostatic
<b>ENGINE</b>		
Brand	-	KUBOTA
Model	-	D1105-E4B
Power	kW	15,6
Operating speed	rpm	2400
Torque	N·m@rpm	71,4@1600
No. of cylinders	-	3
Emissions	-	Stage V, EPA Tier 4
Noise	dB(A)	101
<b>DRIVING</b>		
Max. speed	Km/h	15
Maximum gradient	%	38
External turning radius	mm	3060
Traction	-	4x4
Tyres	-	27x8.5-15"
<b>HYDRAULIC SYSTEM</b>		
Hydraulic circuit	-	8 cc gear pump
Flow rate	l/min	17,28
Working pressure	bar	180
<b>TANK CAPACITY</b>		
Fuel	l	23
Hydraulic system	l	21.2
<b>BRAKES</b>		
Service	-	Sealed brakes. Mechanical drive
Parking	-	Sealed brakes. Mechanical drive

## DIMENSIONS



DIMENSIONS (mm)	D 150 AHG
A	3300
B	1600
C	1480
D	1195
E	860
F	460
G	250
H	2440
I	2000
J	3300
K	1000
L	1290
M	2500
N	1400
O	135
DIMENSIONS (°)	
P	83



takeuchi@hidro-rad.hr



+(385) 21 721 041