



### ENGINE

Model	: MITSUBISHI 6D24-T
Type	: Water-cooled 4 cycle, in-line, 6-cylinders, direct-injection, diesel engine, with turbo - charger
No.Of Cylinders	: 6
Displacement	: 11,946 cc
Net Power	: 155 HP - 185 HP (116 kW -138 kW) @2000 rpm
Max torque	: 925 Nm
Emission Level	: Compatible with USA EPA Tier 1 and European

### TRANSMISSION

- Powershift (planetary gear, hydraulically actuated) with 8 speeds for both forward and reverse

### DIFFERENTIAL AND FINAL DRIVE

- Double-reduction by spiral bevel and planetary gears with operator controlled hydraulically lock/unlock differential.

### FRONT AXLE

Oscillation	: 15° Left or Righth (Total 30°)
Wheel lean	: 20° Left or Righth (Total 40°)
Ground Clearance	: 595 mm

### BRAKES

Service Brakes	: Air-actuated, oil cooled disc brakes on four rear wheels
Parking Brake	: Spring-engaged, air disengaged multi disc oil cooled on T/M output shaft

### TIRES

- 14,00-24-12 PR (G-2)

### HYDRAULIC SYSTEM

Circuit	: Closed-center, load sensing system
Oil pump	: Variable-displacement piston pump
Capacity	: 174 L/min
Relief pressure	: 206 bar
Steering circuit	: 25 cm <sup>3</sup> /rev

### BLADE

Type	: In-seat bank type wear - resistant steel, with box - section reinforcement with hydraulic side-shift
Length x Height x Thickness	: 3,710 mm x 610 mm x 19 mm
Max. Blade Lift Above Ground	: 525 mm
Circle turning angle	: 360°
Max. Bank Cutting Angle	: 90°
Cutting angle	: 39° to 85°

### PERFORMANCE (Speeds)

Forward	1 st	3,6	km/h
	2 nd	4,9	km/h
	3 rd	7,5	km/h
	4 th	10,3	km/h
	5 th	14,7	km/h
	6 th	19,8	km/h
	7 th	30,1	km/h
	8 th	41,4	km/h
Reverse	1 st	3,3	km/h
	2 nd	4,4	km/h
	3 rd	6,7	km/h
	4 th	9,2	km/h
	5 th	13,2	km/h
	6 th	17,8	km/h
	7 th	27,1	km/h
	8 th	37,2	km/h
Minimum Turning Radius	: 6,9m		

### DIMENSIONS

Overall length	: 9,865 mm (With front weight and rear ripper)
Overall width	: 2,440 mm
Overall height	: 3,480 mm
Wheelbase	: 6,250 mm
Ground Clearance	: 380 mm

### WEIGHT

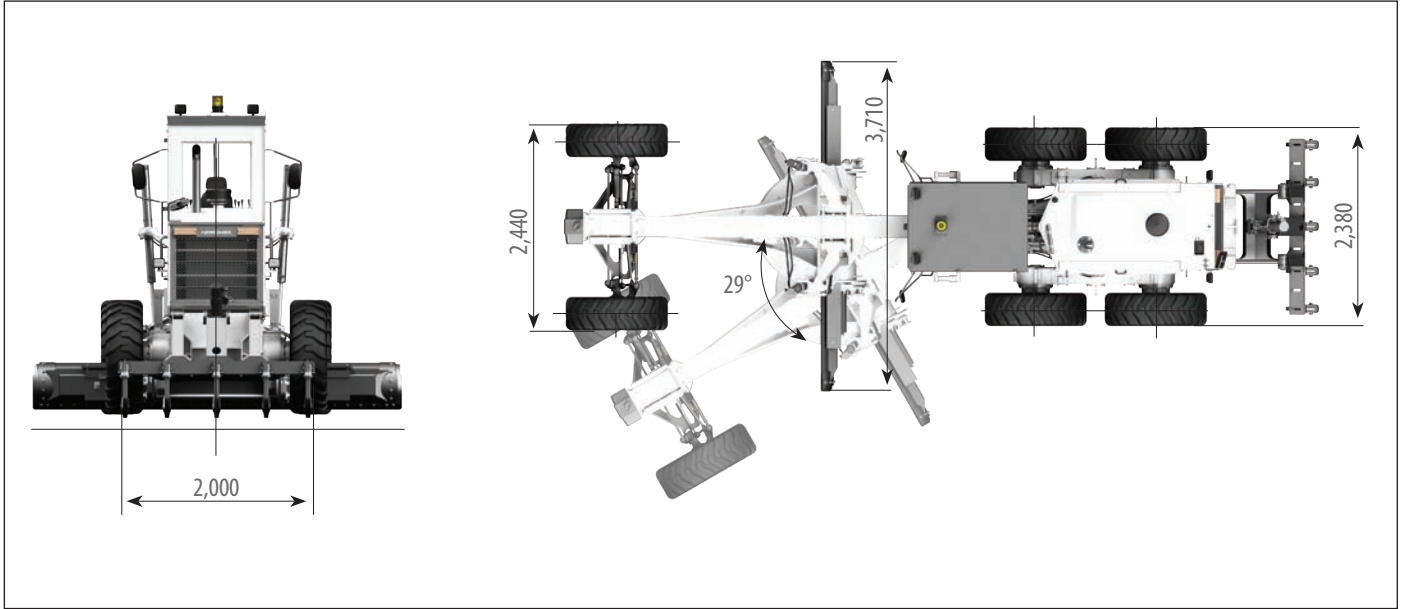
Operating weight	: 17.700 kg
------------------	-------------

Operational weight, complying with the ISO 6016 standards, includes full fuel tank, hydraulic system and other liquids, 75kg operator weight and standard equipped machine weight. Optional equipments are not included.

# MG 460

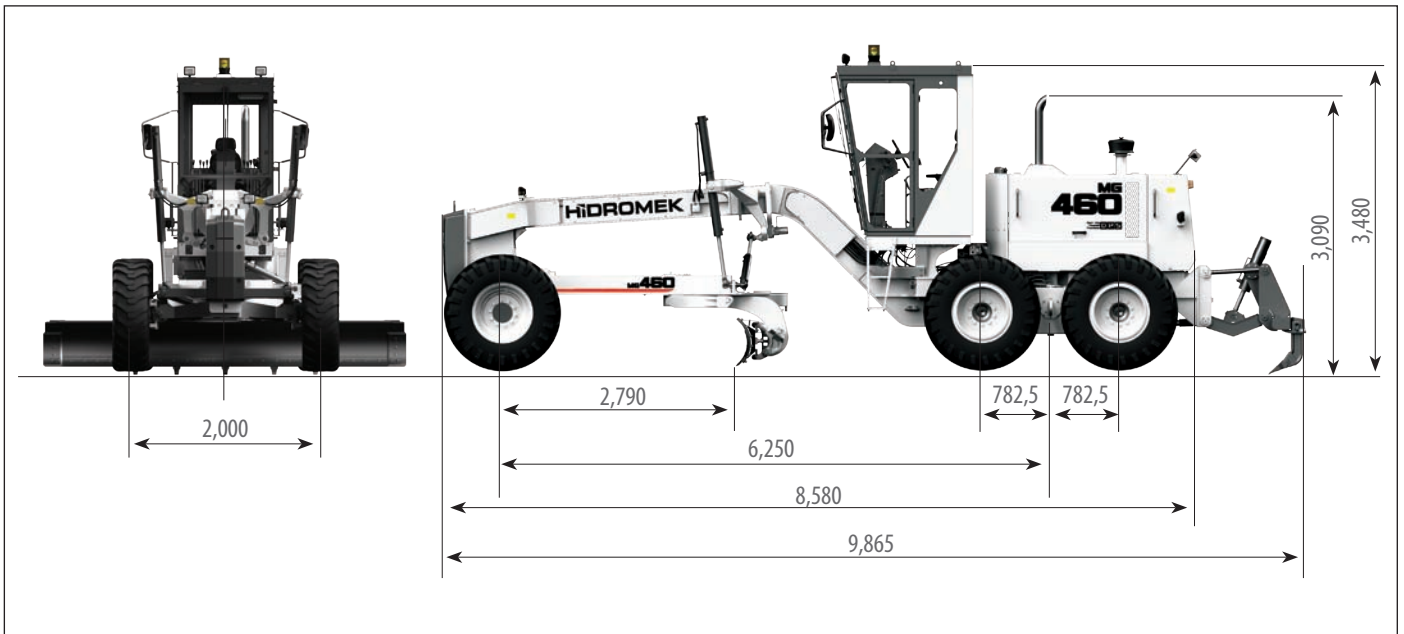
Dimensions (I)

Unit: mm



Dimensions (II)

Unit: mm



ENG - FEBRUARY 2019

## HIDROMEK

**HIDROMEK CONSTRUCTION EQUIPMENT (THAILAND) LTD.**  
 Amata Nakorn Industrial Estate Phase 7, 700/699 Moo 1, T. Phanthong,  
 A. Phanthong, Chonburi 20160 Thailand  
 Phone: 66 (0) 38-447-349-54 Ext. 20 Fax: 66 (0) 38-447-355

**FACTORY - HEAD OFFICE**  
 Ahi Evran OSB Mahallesi Osmanlı Caddesi No:1 06935 Sincan / ANKARA / TURKEY  
 Phone: (+90) 312 267 12 60 Fax: (+90) 312 267 21 18  
[www.hidromek.com](http://www.hidromek.com)

**Notice:**  
 \* HIDROMEK has the right to modify the specifications and design of the model indicated on this brochure without prior notice.  
 \* The equipment shown in the photos in this catalog includes some parts which are optional.